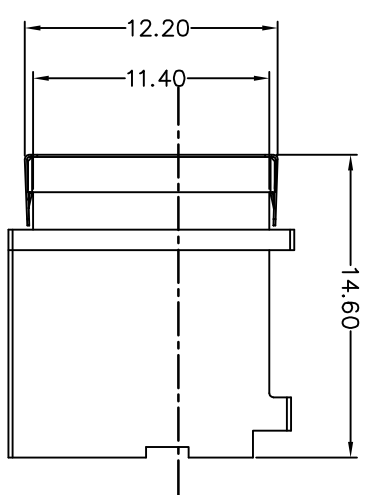
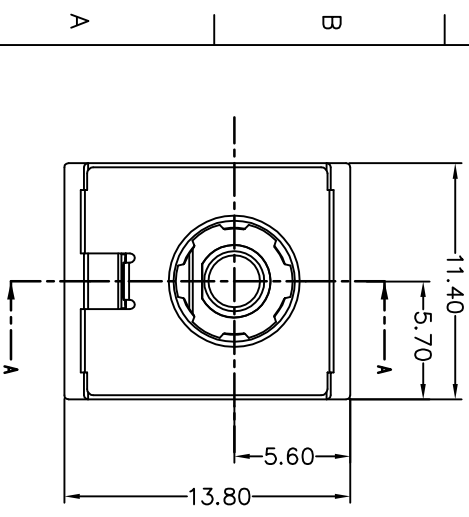
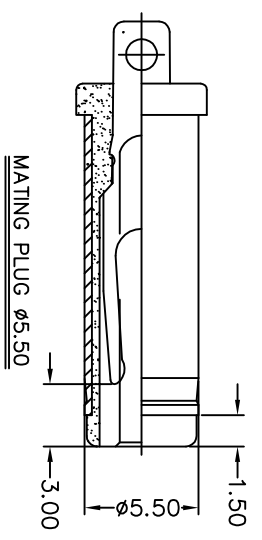
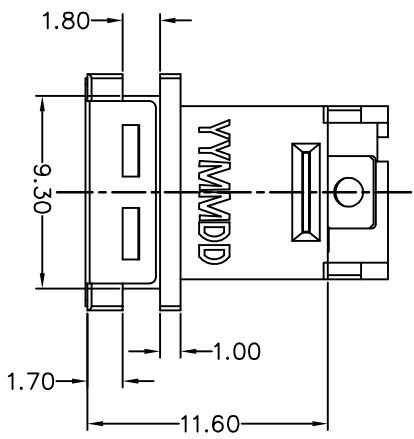
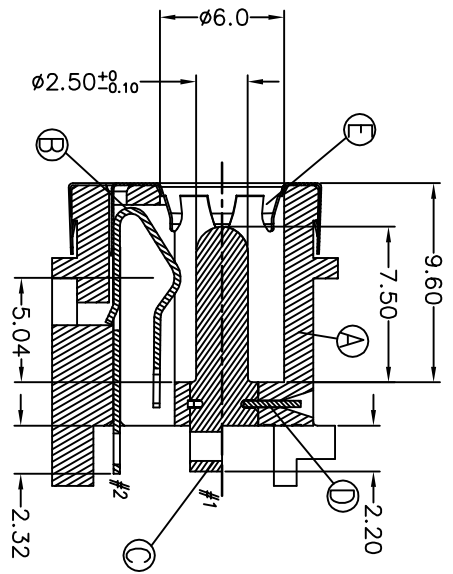
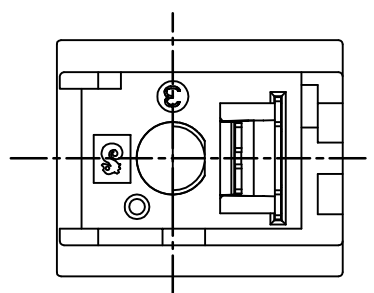

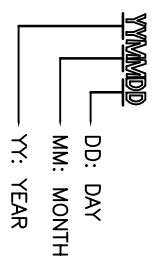
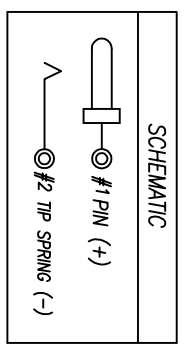



REV.	EGN NO.	OR DESCRIPTION	REVISED	DATE
A	PDR NO.	T081030-2A	Skv	2008.12.05



- SPECIFICATIONS:**
1. RATING: DC 15V 9A
  2. INSERTION FORCE: 0.5~5.5KG. WITHDRAWAL FORCE: 0.4~4.5KG.
  3. INSULATION RESISTANCE BETWEEN ANY ADJACENT TERMINALS SHALL NOT BE LESS THAN 100 MEGOHMS BY 500 VOLTS MEGGER.
  4. JACK SHALL WITHSTAND 500 VOLTS BETWEEN ANY ADJACENT TERMINAL FOR ONE MINUTE.
  5. CONTACT RESISTANCE SHALL NOT EXCEED 30mΩ.
  6. JACK SHALL WITHSTAND 5,000 CYCLES OF INSERTION AND WITHDRAWAL WITH TESTING PLUG, AND CONTACT RESISTANCE SHALL NOT EXCEED 60mΩ.
  7. MEASURING CONDITION: TEMPERATURE: FROM 5°C TO 35°C. RELATIVE HUMIDITY: FROM 40% TO 85%.
  8. SOLDER HEAT RESISTANCE: WAVE SOLDERING 260°C 10 SECS.
  9. TO CONFORM TO SINGATRON HAZARDOUS SUBSTANCE FREE SPECIFICATION.
  10. HALOGEN FREE PRODUCT IDENTIFICATION MARK ON PRODUCT: ©
  11. HALOGEN FREE PRODUCT IDENTIFICATION LOGO ON THE PACKAGING: 
  12. FOR LEAD-FREE PRODUCT
  13. PRINTED DATE CODE: YYMMDD\* ON TOP OF CONNECTOR.



E	GROUNDING	1	STAINLESS STEEL 0.1T	N/A
D	TERMINAL	1	STAINLESS STEEL 0.3T	N/A
C	CONTACT PIN	1	BRASS BAR	COLD FLASH OVER IN 600°
B	TIP SPRING	1	COPPER ALLOY 0.3T	Ag 200° OVER IN 600°
A	BODY	1	THERMOPLASTIC UL 94V-0	BLACK COLOR
NO	DESCRIPTION	QTY	MATERIAL	PLATING & COLOR
UNLESS OTHERWISE SPECIFIED TOLERANCES				
 Singatron Enterprise Co., Ltd. 信登企業股份有限公司				
TITLE		DC POWER JACK		
DWN	SCALE: 2:1	PART NO.	ZDC-S057-B03	
CHKD	DATE	SCALE: 4:1	UNIT:	mm
APVD	REV	SIZE: A3	SHEET: 1 OF 1	REV: A

CUSTOMER COPY